

ONEGAUGE LCD SCREEN TEMPLATES

THE DIAGRAMS ON THESE PAGES ARE FOR MOCK-UP USE ONLY AND MAY INCLUDE SLIGHT VARIATIONS.

PLEASE USE ACTUAL SCREENS OR BEZELS TO CREATE TEMPLATES BEFORE MAKING ANY CUTS.

How to use this document:

- The **blue lines** indicate the size of the overall circuit board that the screen is mounted to. This circuit board will need to fit in your mounting location but should be hidden behind your bezel or dash.
- The **red lines** indicate the size of the *visual display area* of the screen. Please note that this is not the screen itself, but the portion of the screen that is used to display information. There is a small edge of the screen that is blank which should also be hidden behind the bezel or dash.

For Housing and Mount dimensions, please see the end of this document.

“Ready to Mount” dimensions, when available, are linked on each page.

Dimension diagrams are available by clicking on the name of the screen.

All displays can be mounted in portrait or landscape orientations.

Please email info@thegauge.com for questions/concerns.

Total Circuit Board: 10.2"x6",
258mm x 152mm x 12mm
10" LCD SCREEN - 1024x600 pixel resolution

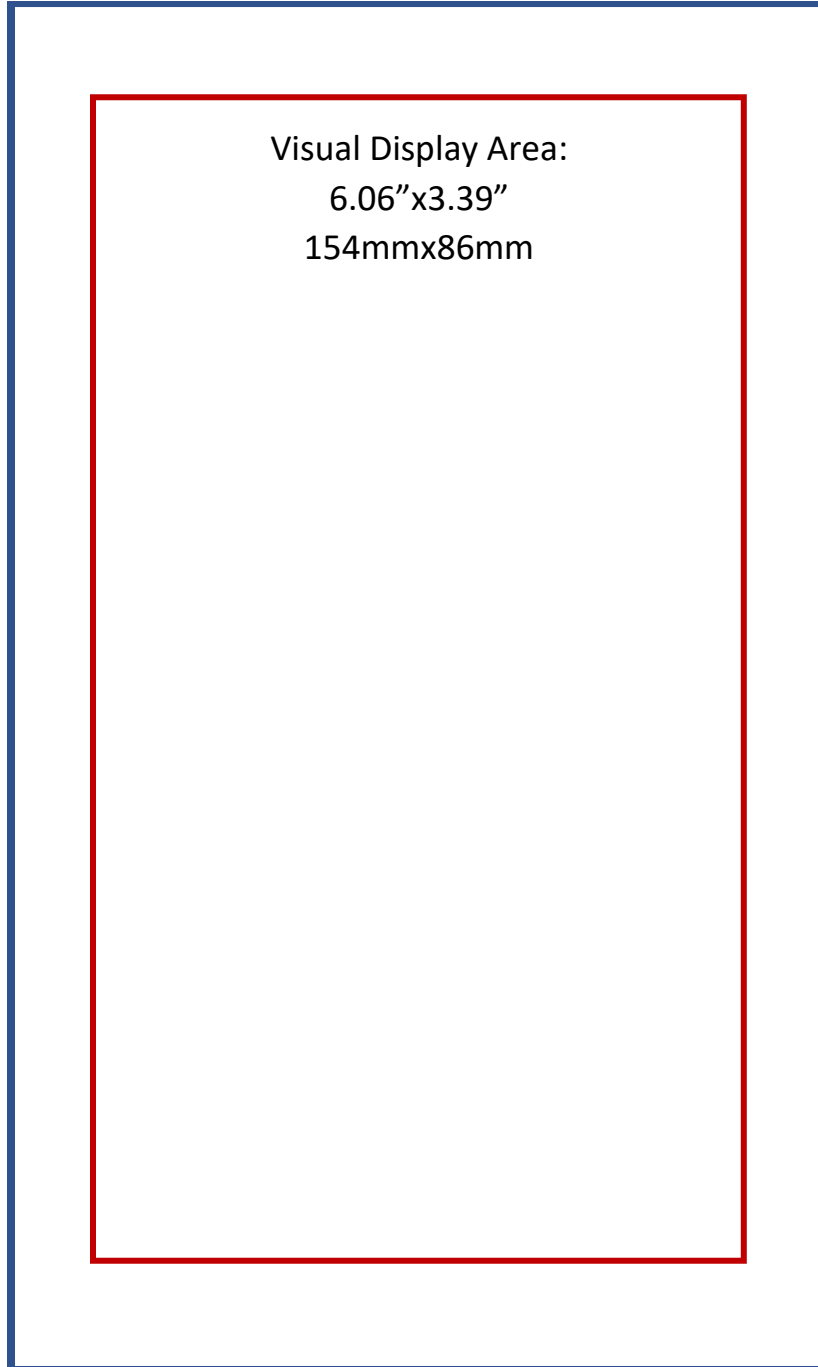
Visual Display Area:
8.8"x4.9"
223mmx125mm

7" LCD SCREEN

800x480 pixel resolution

[Ready to Mount dimensions and diagram available here.](#)

Total Circuit Board: 7.1"x4.25", 181mm x 108mm x 9mm



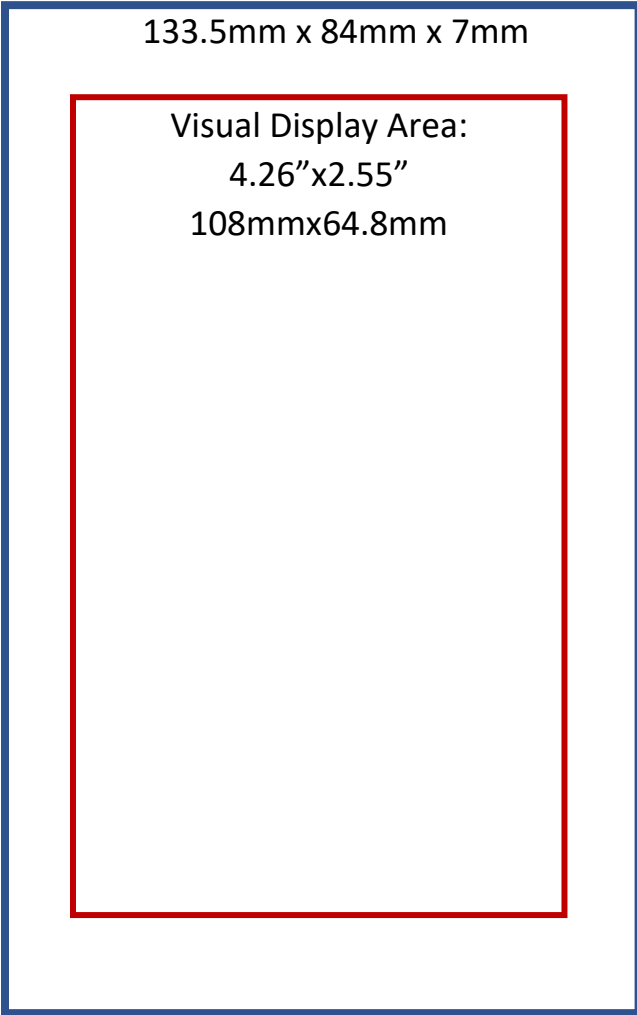
5" LCD SCREEN

800x480 pixel resolution

[Ready to mount dimensions and diagram available here.](#)

Total Circuit Board: 5.23"x3.3",
133.5mm x 84mm x 7mm

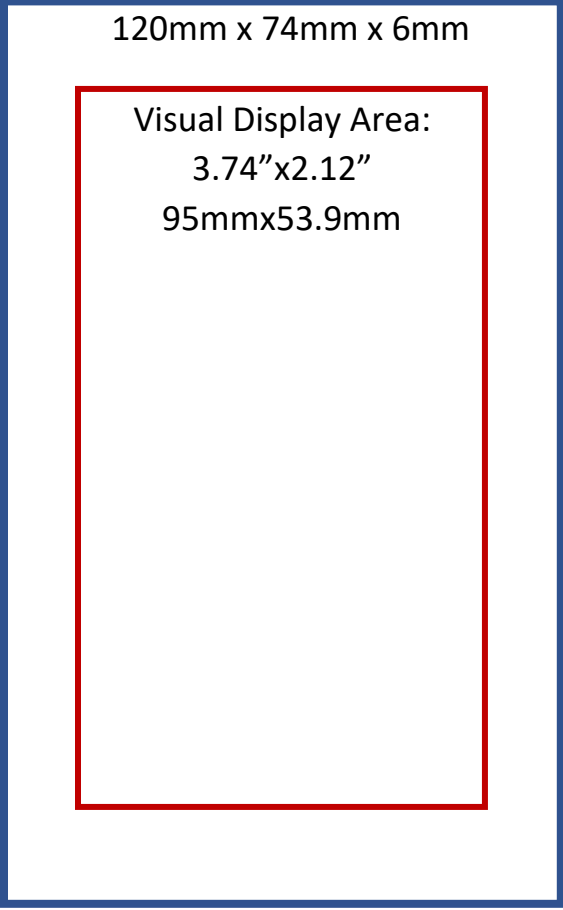
Visual Display Area:
4.26"x2.55"
108mmx64.8mm

A diagram consisting of two concentric rectangles. The outer rectangle is blue and represents the total circuit board dimensions. The inner rectangle is red and represents the visual display area. The text for the total circuit board dimensions is located above the blue rectangle, and the text for the visual display area is located inside the red rectangle.

4.3" LCD SCREEN
480x272 pixel resolution

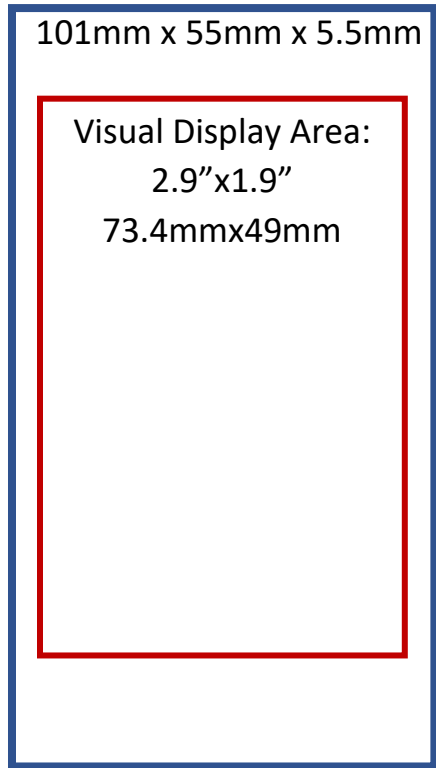
Total Circuit Board: 4.7"x2.9",
120mm x 74mm x 6mm

Visual Display Area:
3.74"x2.12"
95mmx53.9mm

A diagram consisting of two nested rectangles. The outer rectangle is blue and represents the total circuit board dimensions. The inner rectangle is red and represents the visual display area. The text labels for both are centered within their respective rectangles.

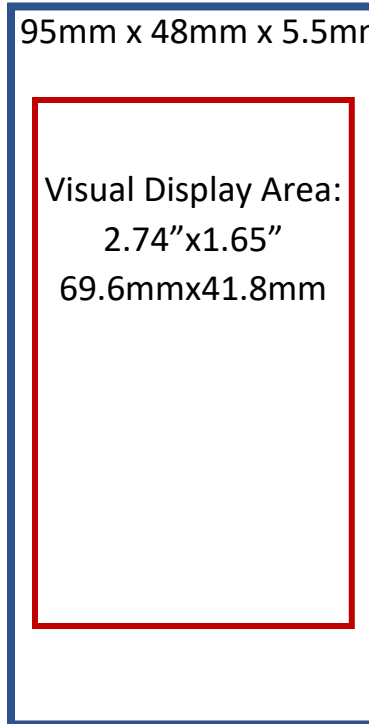
3.5" LCD SCREEN
480x320 pixel resolution

Total Circuit Board: 3.95"x2.2",



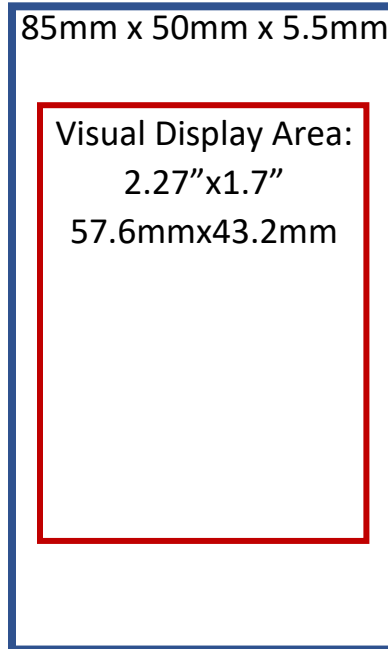
3.2" LCD SCREEN AND BEZEL
400x240 pixel resolution

Total Circuit Board: 3.74"x1.9",
95mm x 48mm x 5.5mm



2.8" LCD SCREEN AND BEZEL
320x240 pixel resolution

Total Circuit Board: 3.35"x2",
85mm x 50mm x 5.5mm



10" OneGauge LCD Housing

Outer dimensions:

10.5" x 6.5" x 1.25" deep

3 holes used to fit 3/8" bolts are provided in the back of the housing.

7" OneGauge Standard LCD Housing

Outer dimensions:

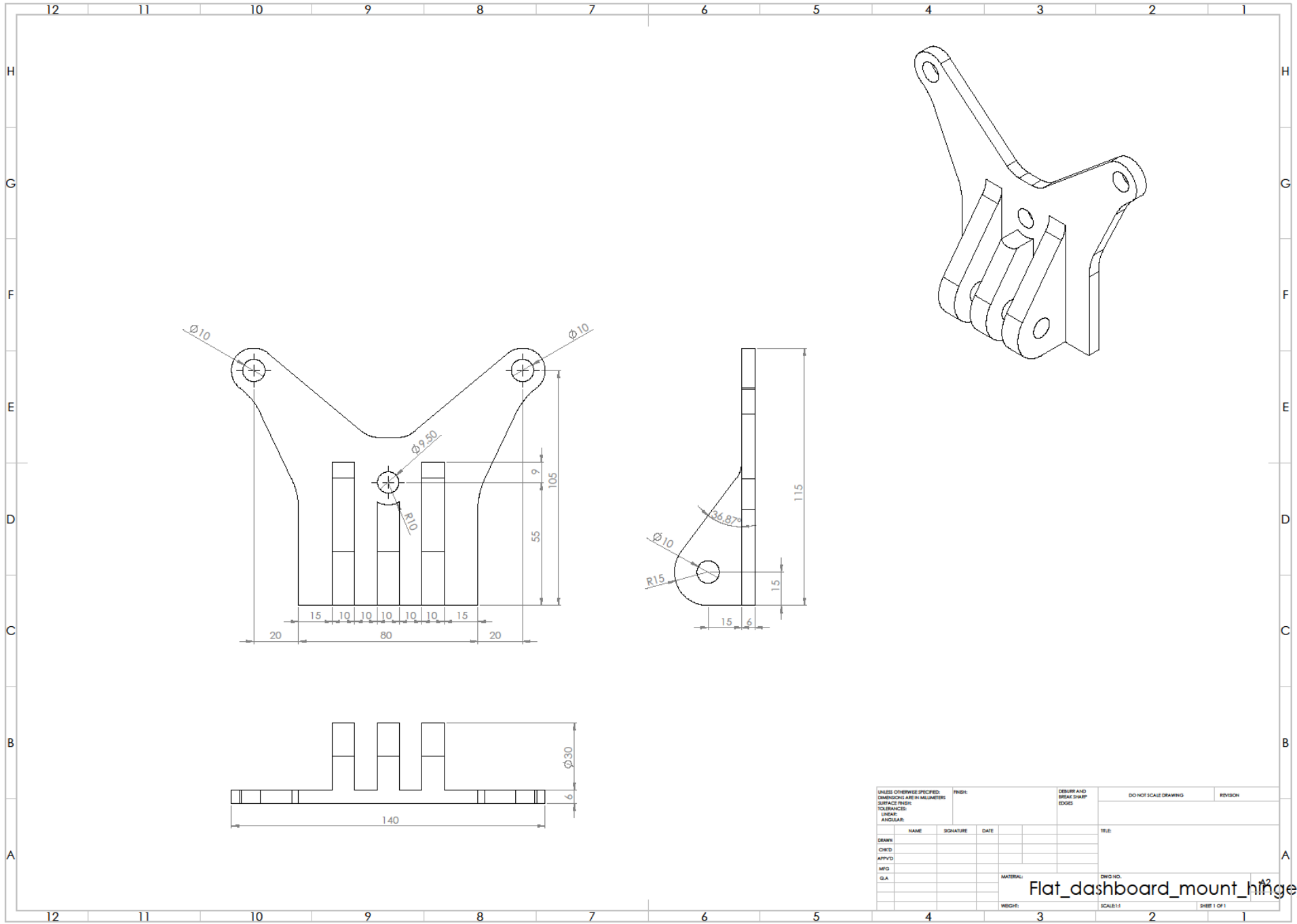
7.75" x 5.125" x 1.25" deep

**3 holes used to fit 3/8" bolts are provided
in the back of the housing.**

7" OneGauge Holley Style LCD Housing

**Outer dimensions:
7.5" x 4.5 " x 1.25" deep**

**See Holley's 7" LCD dimensions for
a template and mounting holes.**



UNLESS OTHERWISE SPECIFIED: DIMENSIONS ARE IN MILLIMETERS SURFACE FINISH: TOLERANCES: LINEAR: ANGULAR:			FINISH:	DEBURR AND BREAK SHARP EDGES	DO NOT SCALE DRAWING	REVISION
DRWN:	NAME	SIGNATURE	DATE		TITLE:	
CHK'D:						
APP'VD:						
MFG:						
Q.A.						
				MATERIAL:	DWG. NO.:	
				SCALE: 1:1	SHEET 1 OF 1	

Flat_dashboard_mount_hinge

